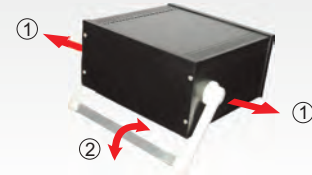




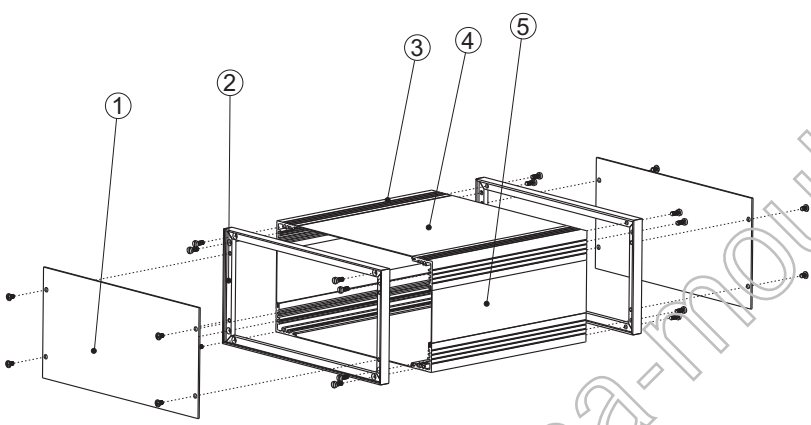
17-11



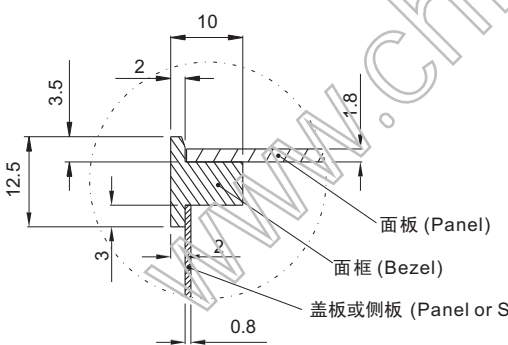
17-12



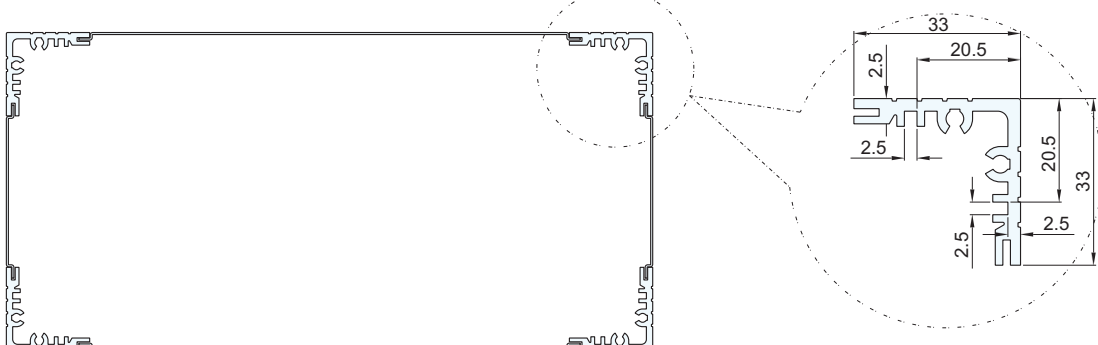
17-16

序号 CODE	零件名称 NAME OF PARTS	数量 QUANTITY
1	铝面板 Aluminum panel	2
2	铝型材面框 Al. extrusion bezel	2
3	铝型材主梁 Al. extrusion	4
4	铝盖板 Aluminum top cover	2
5	铝侧板 Aluminum side panel	2



本机箱长宽高可任意定制；表面喷塑，颜色可定制。
The length, width and height of the enclosure can be customized; as well as the powder coating color.



面板 (Panel)
面框 (Bezel)
盖板或侧板 (Panel or Side Plate)